



Vision

This summer's
deck-and-pool solution!

Surfside Pool Company
Phone: 978.342.7362
www.surfsidepoolcompany.com
Locations: Acton, Chelmsford, Fitchburg,
Leominster, West Boylston, MA & Amherst, NH

- 18', 24' and 30' round pools
- 15' x 26', 15' x 30', 18' x 33' and 18' x 40' oval pools
- ↑ 54" high

Deck and fence available with these pool models:

- Oasis (aluminum slat pool)
- Navigator (aluminum pool)

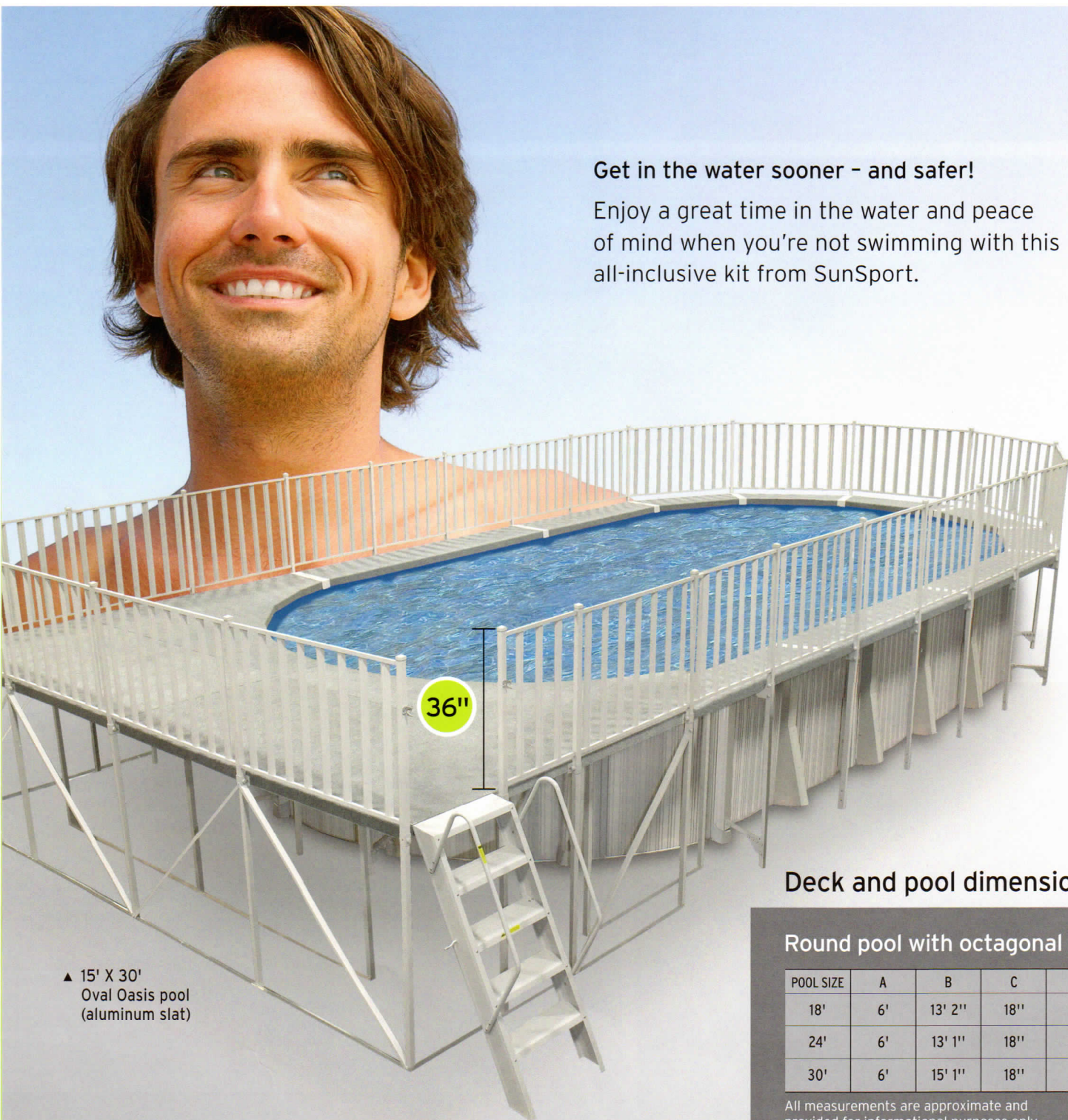


Enjoy safety, security and unlimited summer fun!

This easy, convenient combo lets you install a pool, deck and fence at the same time - providing no end of advantages for your summer enjoyment! A one-kit process means guaranteed matching parts and a straightforward assembly process. The end result: a pool with a walk-around deck and secure fence for neighbourhood safety, built from materials that don't rust or need repainting so that you can enjoy the water and skip the maintenance.

Get in the water sooner - and safer!

Enjoy a great time in the water and peace of mind when you're not swimming with this all-inclusive kit from SunSport.



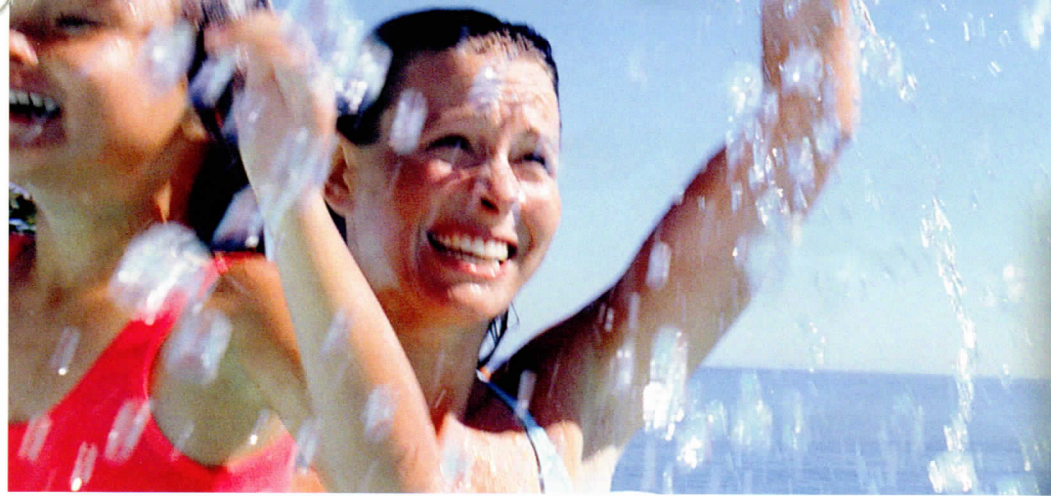
▲ 15' X 30'
Oval Oasis pool
(aluminum slat)

Deck and pool dimensions:

Round pool with octagonal deck

POOL SIZE	A	B	C	D	E
18'	6'	13' 2"	18"	24'	21'
24'	6'	13' 1"	18"	30'	27'
30'	6'	15' 1"	18"	36'	33'

All measurements are approximate and provided for informational purposes only.



Family fun

Keep an easy eye on the kids from a poolside chair, or join in the fun thanks to our walk-around deck! This kit was created with families in mind, for fun during swim time and safety when the pool is not in use. Get in the water fast with an integrated pool, deck and fence kit, and make the most of summer!



◀ Walk-around deck

- Convenient access to all sides of the pool
- Stable, secure and strong
- Generous 18" width provides fun all around the pool
- Carpeted for non-skid safety
- Available in classic slate grey



◀ Extruded aluminum deck

- 6063 T5 grade extruded aluminum for maximum strength
- Resistant to corrosion
- Maintenance-free for enduring attractiveness
- Rugged and resistant for long-lasting durability
- A stylish taupe finish enhances the look

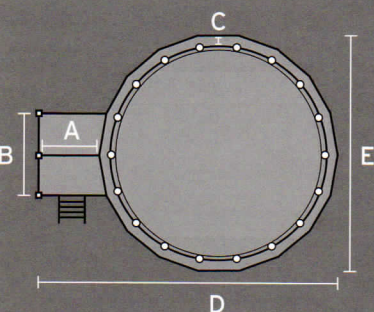


◀ Structure

- Stainless steel hardware
- 36" fence (from floor of deck)
- 90" overall height (ground to top of fence)
- Swing-up deck ladder available (extra)
- Built to meet industry durability standards
- No need to paint, stain or maintain
- Lifetime guarantee

Décor

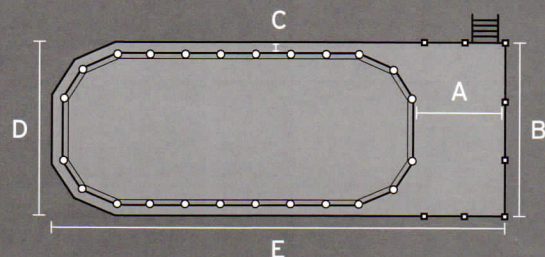
Designed with our traditional eye for elegance and grace, these pools will enhance your back yard with classic lines and muted colors.



Oval End Deck

POOL SIZE	A	B	C	D	E
15' x 26' 15' x 30'	6'	18'	18"	18'	12' + lp*
18' x 33' 15' x 40'	6'	21'	18"	21'	13' 9" + lp*

All measurements are approximate and provided for informational purposes only.
*length of pool





WILBAR INTERNATIONAL
50 Cabot Court, Hauppauge, NY, 11788

www.sharkline.com

Provided by the Wilbar Group

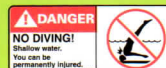
The Wilbar Group is one of the world's leading brands for top-of-the-line aboveground swimming pools and accessories, combining innovative technology and elegant designs with all the pools it makes. Offering quality and all-around excellence, we've grown to become North America's benchmark for aboveground pools - your guarantee of years of enjoyment.

Limited lifetime warranty

Built from tested materials and engineered for strength, this pool and deck kit will provide not only summer fun, but also backyard style and years of longevity. The Wilbar Group is committed to quality - we make our pools and decks to last, and make your satisfaction our top priority.

The purchase of an aboveground pool provides years of pleasure and fun, but it also involves water safety. Although we cannot supply a full-time lifeguard, we strongly recommend that you implement the following safety rules. These will help provide a pleasant atmosphere for you and your family.

- NEVER jump or dive in an aboveground pool.
 - Maintain constant adult supervision when children are in or near any body of water.
 - Read all of the safety, installation and maintenance information contained in your pool's instruction manual and Water Safety brochure before you start installing your pool.
 - Ask your city about any specific rules and regulations that apply to aboveground pools.
 - Follow your instruction manual and maintenance instructions.
 - Never remove applied or posted safety stickers or signs from your pool or pool area.
 - Barriers to prevent unsupervised access, especially by young children, should be built, installed and checked on a regular basis to ensure they are in good working order.
 - Inspect your pool, barriers, alarms, and other related equipment on a regular basis in order to ensure they are in good working order and that they are safe.
- Your pool's installation, maintenance and safety manuals contain detailed tips and recommendations. They must be read, followed and applied on a regular basis, as they will prevent unnecessary accidents and will ensure many summers of pleasant and safe family fun.



Your authorized Wilbar dealer is:

Surfside Pool Company - 978.342.7362
Locations: Acton, Chelmsford, Fitchburg,
Leominster, West Boylston, MA & Amherst, NH

Printed in Canada • Manufactured by Wilbar International • 50 Cabot Court, Hauppauge, NY 11788 • The dimensions, weights, illustrations and other specifications are approximate. • The company reserves the right to modify and/or discontinue without notification any feature in any pool model.

© Copyright 2011, Wilbar International • 90060 • 03/11